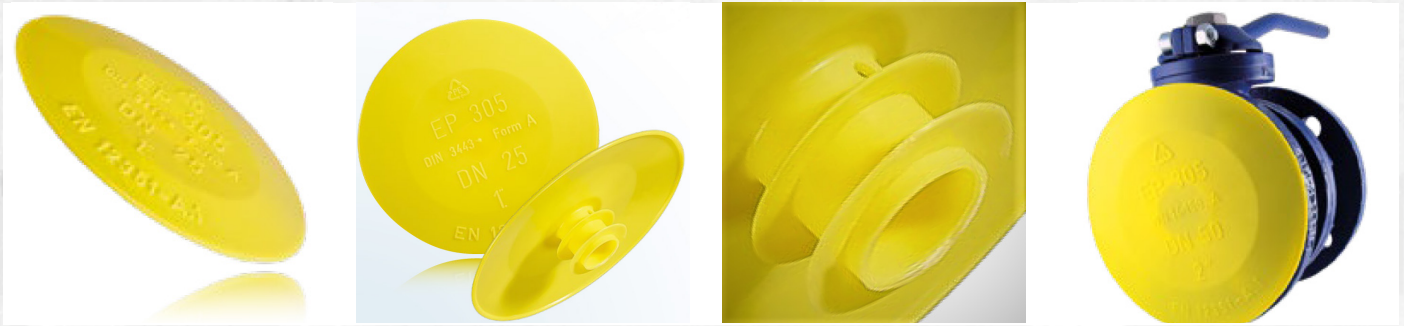


The original and most universal Push-In Protectors in the market
Suitable for wide ranges of flanges



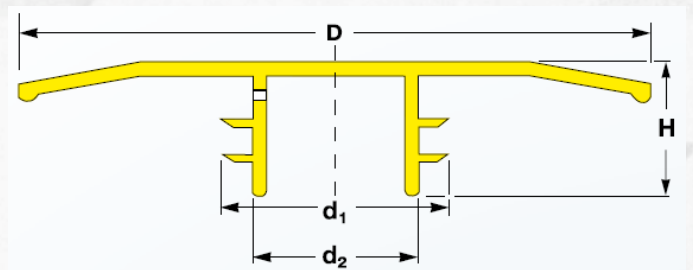
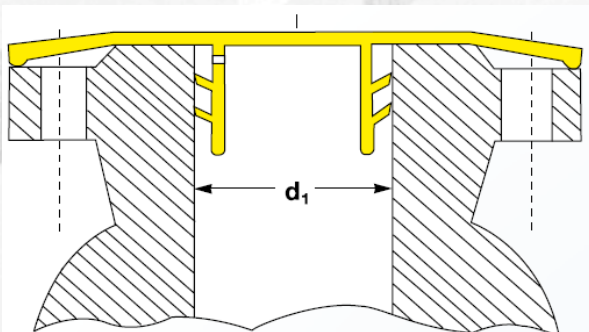
Description

Real Protection's Flang Protectors are made of LDD-PE and linear low density polyethylene. These protectors have yellow as standard color.

Quality: Suitable for both imperial(ANSI) and metric(DIN) flanges to specifications DN 2628 - 2638, 150, BS5504 and ANSIB16,5. The most versatile and universal flange protector on the market. Its unique design allows the protection of an array of different size flanges, as well as other various classifications of flanges, with one part.

Availability: We provide the fastest on time delivery service to all industries.

Philosophy: Innovative protective closures at the best price in th market.



Alle dimensions in mm

| Dimensions Nom Ø | Dimensions | | | | Standard Pack | Reference No. | ← D ₁ → | | DIN 2627 - 2638 / BS 4504 | | | | | | ANSI B 16,5 / BS 1560 | | | | | | |
|---------------------|------------|------------------|------------------|--------|------------------|---------------|--------------------|-------|---------------------------|---------------------------------|-------|--------|--------|--------|-----------------------|---------------------------------|-------------|---------|---------|---------|----------|
| | Ø D | Ø d ₁ | Ø d ₂ | H | | | min. | max. | PN 10 - 16 | PN 25 - 40 | PN 64 | PN 100 | PN 160 | PN 250 | PN 300 | PN 400 | Cl. 150-300 | Cl. 400 | Cl. 600 | Cl. 900 | Cl. 1500 |
| DN 10 | 3/8 | 86,0 | 13,7 | 7,00 | 15,0 | 1,000 | EP 305 / DN 10 HF | 9,0 | 13,6 | | | | | | | | | | | | |
| DN 15 | 1/2 | 90,0 | 19,0 | 9,00 | 15,0 | 1,000 | EP 305 / DN 15 HF | 12,5 | 17,3 | | | | | | | | | | | | |
| DN 20 | 3/4 | 101,0 | 24,0 | 14,40 | 20,0 | 700 | EP 305 / DN 20 HF | 17,5 | 22,3 | | | | | | | | | | | | |
| DN 25 | 1 | 110,0 | 30,0 | 18,00 | 20,0 | 500 | EP 305 / DN 25 HF | 21,5 | 28,5 | i. Ø Flange = d2/d2 = nom. bore | | | | | | i. Ø Flange = d2/d2 = nom. bore | | | | | |
| DN 32 | 1,1/4 | 136,0 | 39,0 | 22,27 | 20,0 | 300 | EP 305 / DN 32 HF | 28,5 | 37,2 | | | | | | | | | | | | |
| DN 40 | 1,1/2 | 146,0 | 45,0 | 30,00 | 20,0 | 250 | EP 305 / DN 40 HF | 37,0 | 43,1 | | | | | | | | | | | | |
| DN 50 | 2 | 160,0 | 56,0 | 40,10 | 20,0 | 200 | EP 305 / DN 50 HF | 47,5 | 54,5 | | | | | | | | | | | | |
| DN 65 | 2,1/2 | 180,0 | 72,0 | 53,40 | 20,0 | 200 | EP 305 / DN 65 | 63,5 | 70,3 | | | | | | | | | | | | |
| DN 80 | 3 | 196,0 | 85,0 | 67,60 | 25,0 | 150 | EP 305 / DN 80 | 76,0 | 82,5 | | | | | | | | | | | | |
| DN 100 | 4 | 216,0 | 109,0 | 88,60 | 25,0 | 100 | EP 305 / DN 100 | 97,0 | 107,1 | | | | | | | | | | | | |
| DN 125 | 5 | 247,7 | 134,0 | 110,20 | 25,0 | 75 | EP 305 / DN 125 | 118,0 | 131,7 | | | | | | | | | | | | |
| DN 150 | 6 | 283,0 | 161,0 | 135,59 | 35,0 | 40 | EP 305 / DN 150 | 148,0 | 159,3 | | | | | | | | | | | | |
| DN 200 | 8 | 337,0 | 211,0 | 188,60 | 41,3 | 40 | EP 305 / DN 200 | 184,0 | 208,0 | | | | | | | | | | | | |
| DN 250 | 10 | 390,0 | 262,0 | 243,80 | 41,0 | 28 | EP 305 / DN 250 | 238,0 | 260,4 | | | | | | | | | | | | |
| DN 300 | 12 | 450,0 | 318,0 | 280,90 | 48,0 | 20 | EP 305 / DN 300 | 285,0 | 315,0 | | | | | | | | | | | | |
| DN 400 | 16 | 586,0 | 410,0 | 351,00 | 62,0 | 10 | EP 305 / DN 400 | 355,0 | 408,0 | | | | | | | | | | | | |

Should your requirements not be shown please ask for a separate quotation.